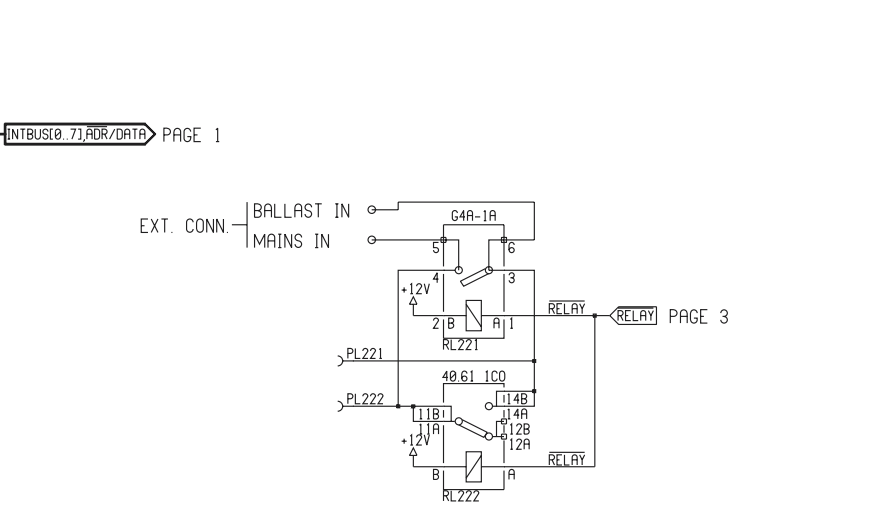
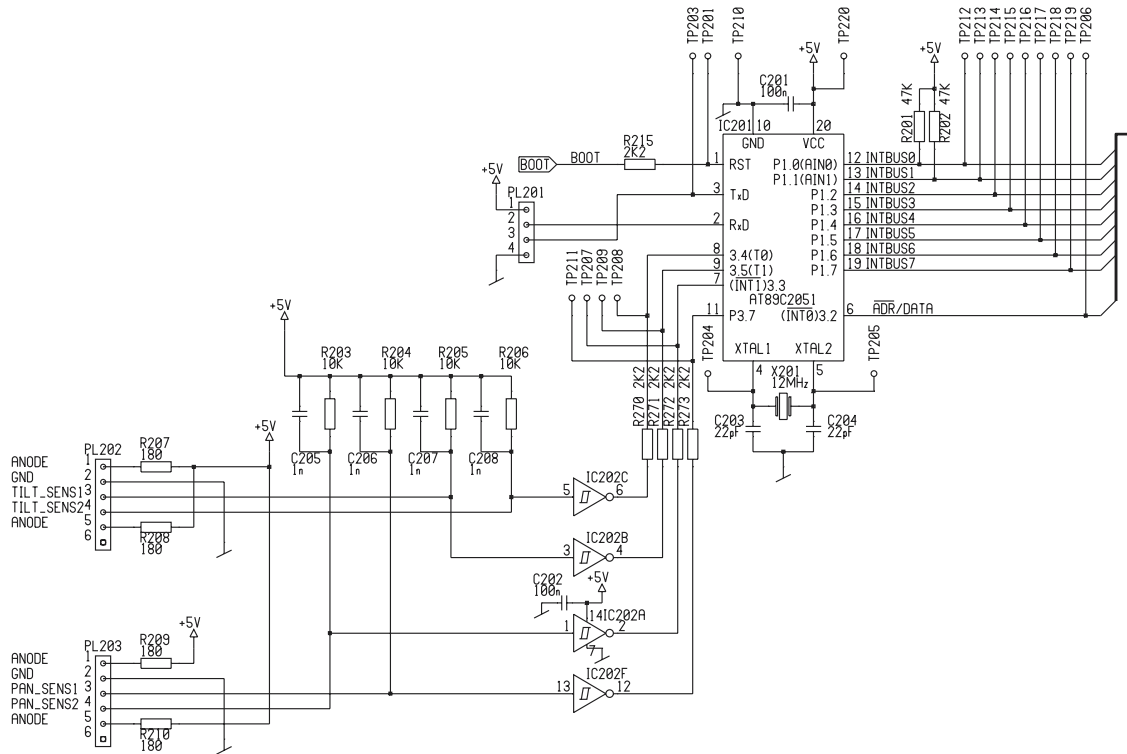
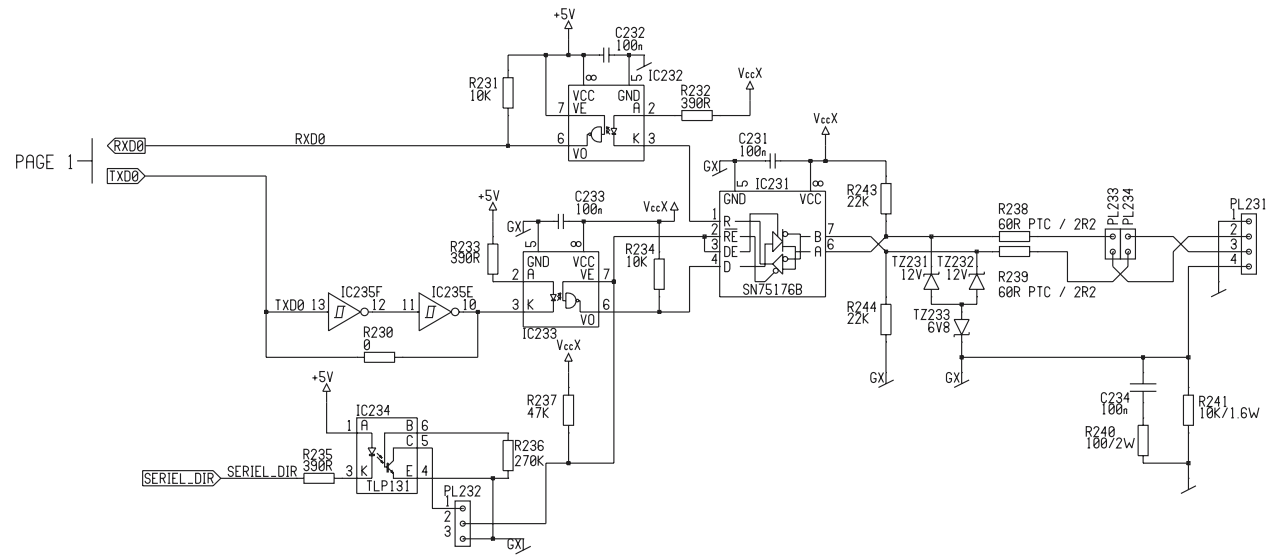
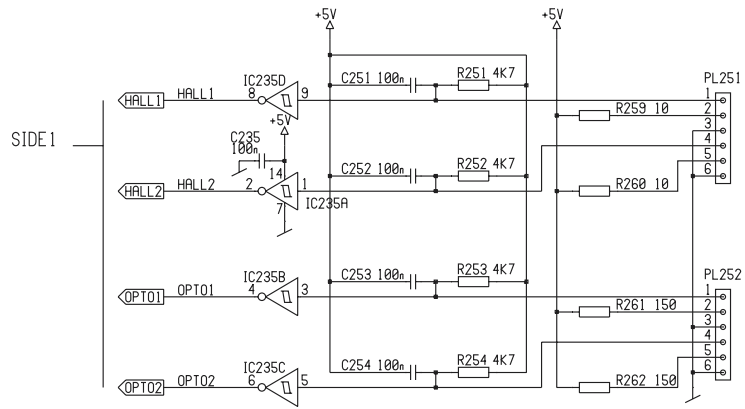


B010.7) PAGE K5

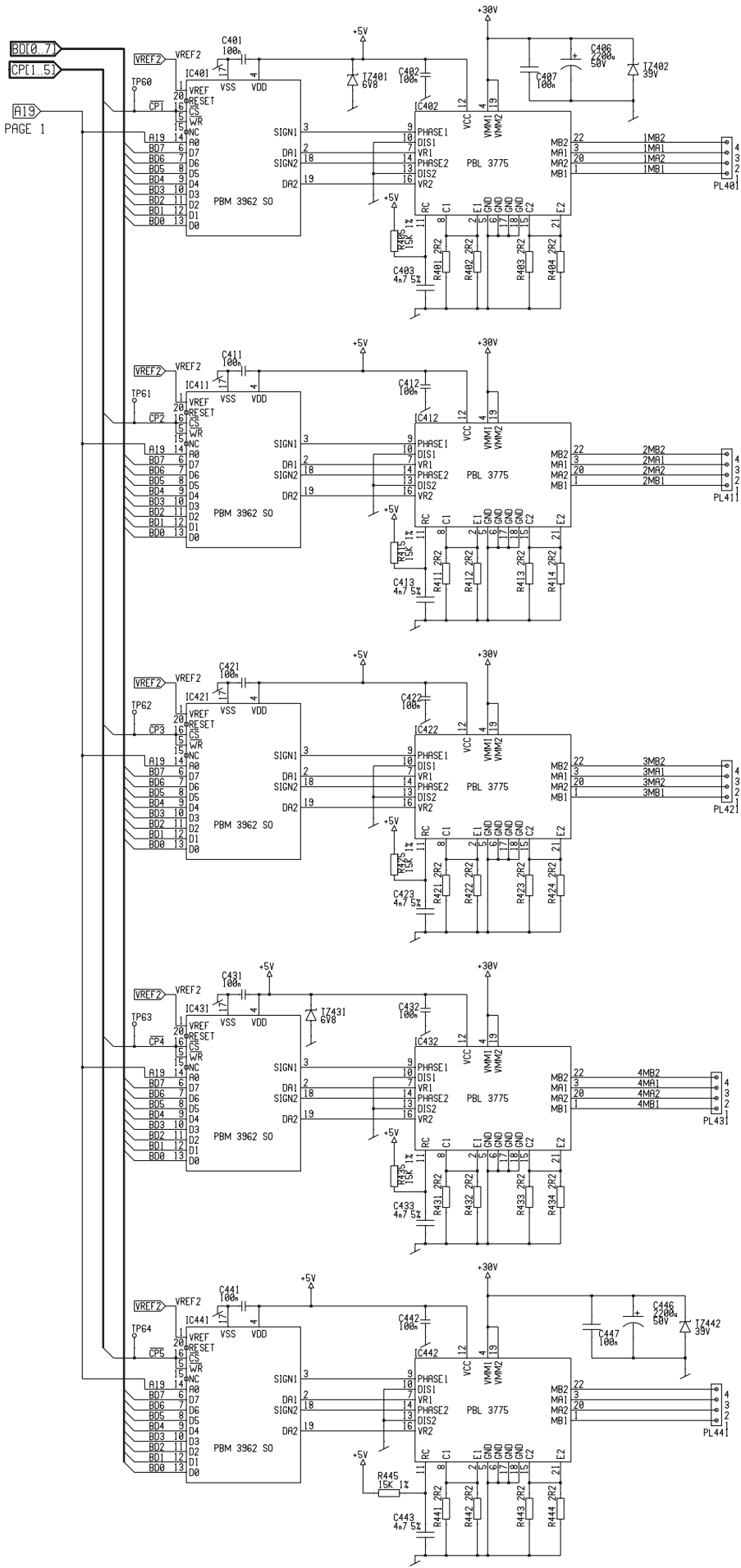
PAGE 3

LIGHT SENSE 1 - 2 - 3

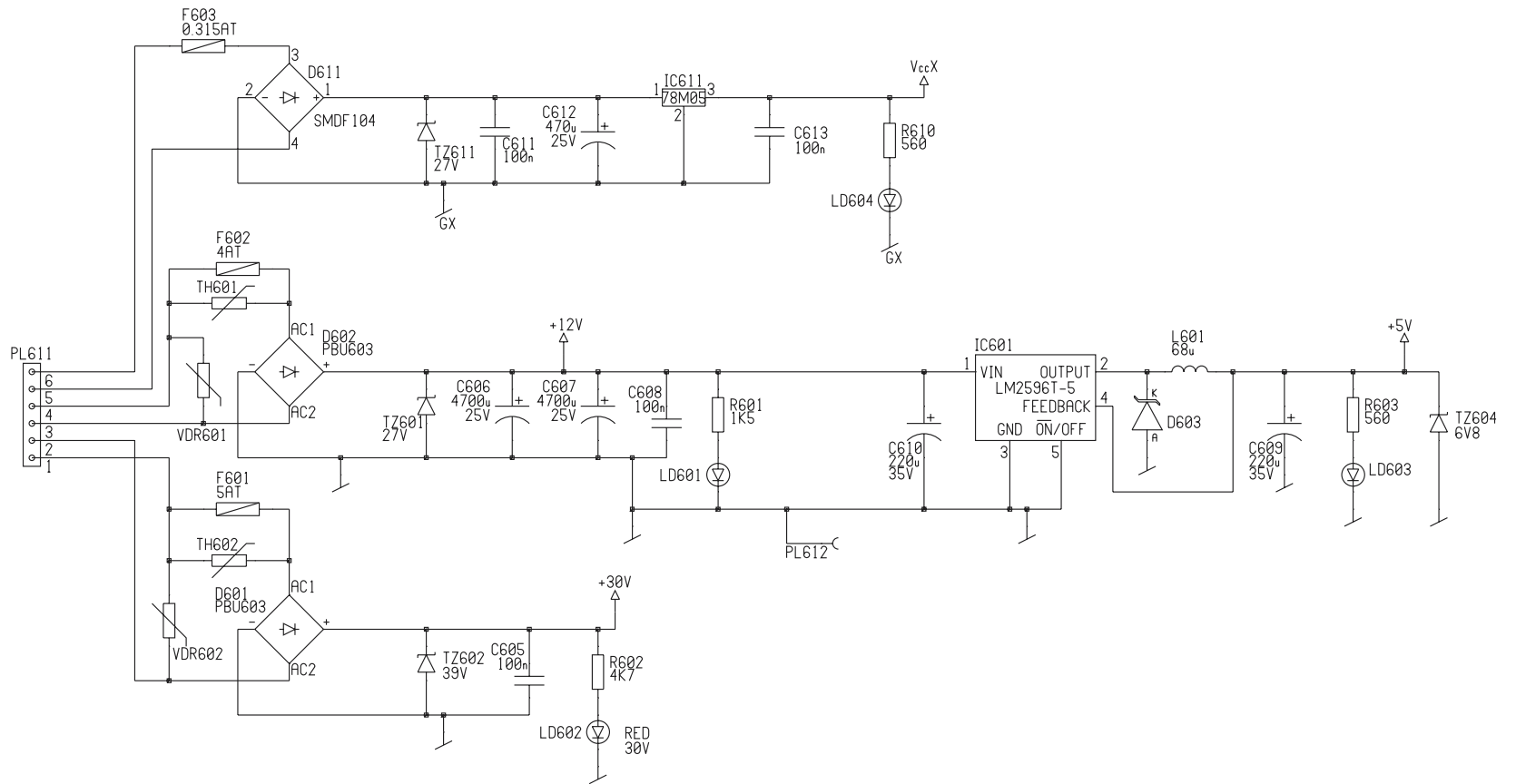
PRODUCT		ENG.	
MACII SERIES MAIN BOARD		Martin Professional A/S	
NAME	811235B0.SCH / 101235B.PCB	REVISION A0	PAGE 1 OF 7
		DRAWN BY BH	
		DATE 3/3/99	TIME 14:04



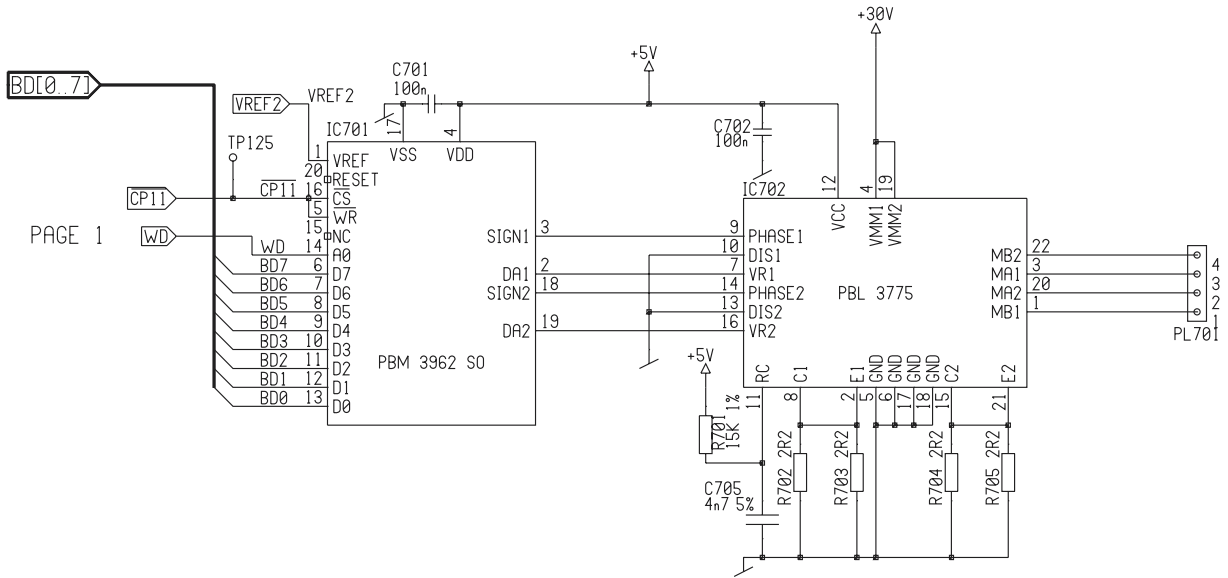
PRODUCT		ENG.	
MACII SERIES MAIN BOARD		Martin Professional A/S	
NAME		REVISION B0	PAGE 2 OF 7
811235B0.SCH / 101235B.PCB		DRAWN BY BH	
		DATE 3/3/99	TIME 14:04



PRODUCT	MACII SERIES MAIN BOARD		ENG.	Martin Professional A/S	
NAME	811235B0.SCH / 101235B.PCB		REVISION	B0	PAGE 4 OF 7
			DRAWN BY	BH	
			DATE	3/3/99	TIME 14:06



PRODUCT	MACII SERIES MAIN BOARD			ENG.	Martin Professional A/S		
NAME	811235B0.SCH / 101235B.PCB			REVISION	B0	PAGE	6 OF 7
				DRAWN BY	BH		
				DATE	3/3/99	TIME	14:07



PRODUCT	MACII SERIES MAIN BOARD		ENG.	Martin Professional A/S	
	NAME		REVISION	B0	PAGE 7 OF 7
811235B0.SCH / 101235B.PCB		DRAWN BY		BH	
		DATE	3/3/99	TIME	14:08